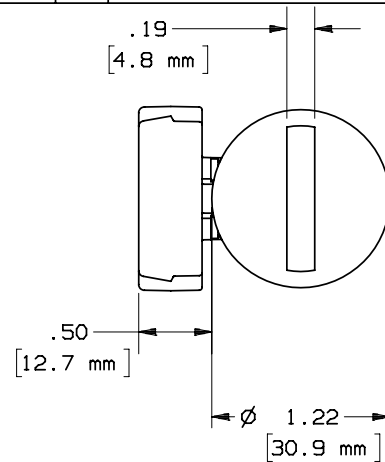
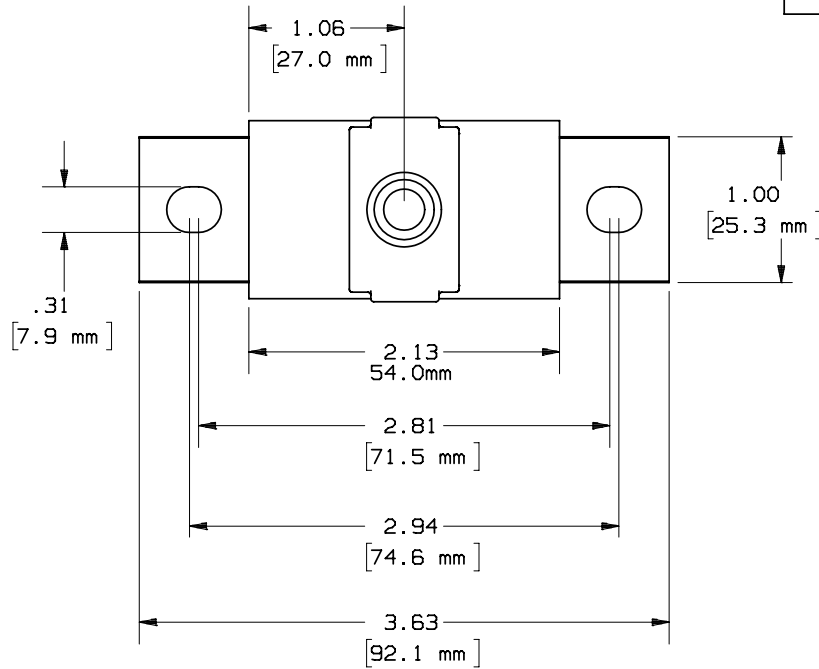


REV	DATE	ECO	DESCRIPTION	BY	CK	APP
-	10-31-00	NA	INITIAL RELEASE	KMH	NA	NA



MERSEN USA NEWBURYPORT-MA, LLC
 374 MERRIMAC STREET
 NEWBURYPORT, MA 01950

A50QS(125 - 200)-4IL

FORM 101
 SEMICONDUCTOR FUSE

125-200AMPS 500V

OUTLINE DIMENSIONS
 NOT TO BE USED FOR PRODUCTION

700553

PRODUCT MANAGER

DESIGN ENGINEER

SIGN:
 DATE:

SIGN:
 DATE: