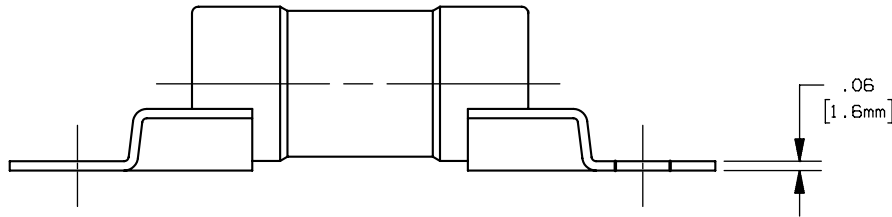
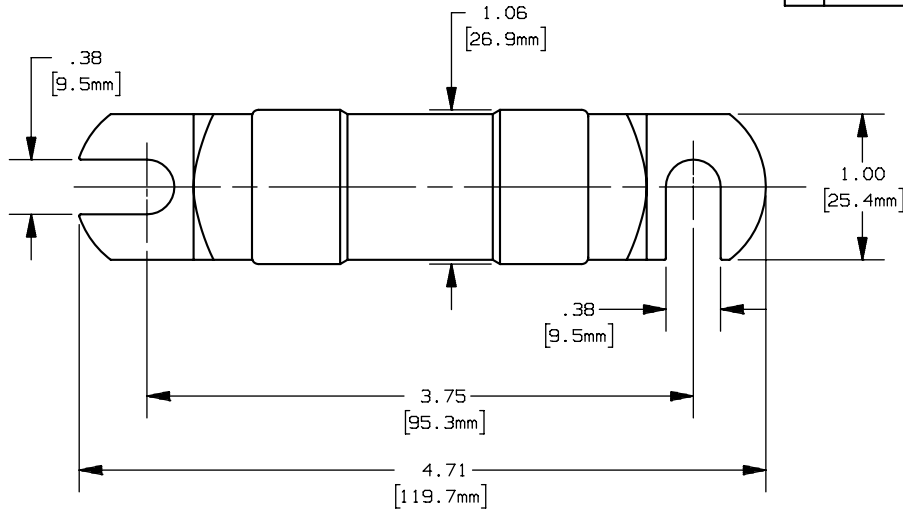


| REV | DATE | ECO | DESCRIPTION | BY | CK | APP |
|-----|---------|-----|--------------|-----|-----|-----|
| - | 5-28-97 | N/A | INIT RELEASE | DBG | N/A | N/A |



| | |
|------------|----------------|
| 500A | ALS500 |
| 450A | ALS450 |
| 400A | ALS400 |
| 350A | ALS350 |
| 300A | ALS300 |
| 250A | ALS250 |
| 225A | ALS225 |
| 200A | ALS200 |
| 175A | ALS175 |
| 150A | ALS150 |
| 100A | ALS100 |
| AMP RATING | CATALOG NUMBER |



MERSEN USA NEWBURYPORT-MA, LLC
 374 MERRIMAC STREET
 NEWBURYPORT, MA 01950

TYPE ALS
 100A-500A

OUTLINE DIMENSIONS
 NOT TO BE USED FOR PRODUCTION

700279

PRODUCT MANAGER

DESIGN ENGINEER

SIGN:

SIGN:

DATE:

DATE: