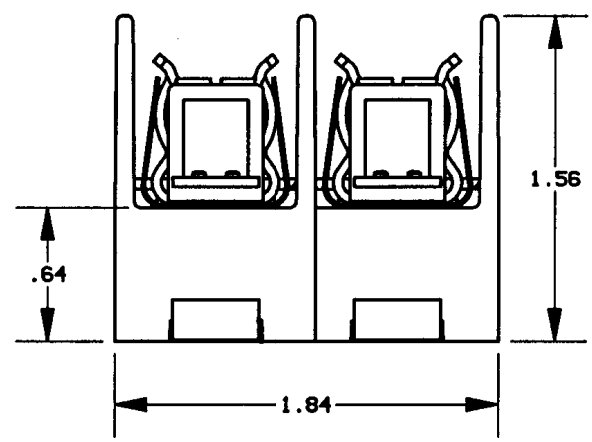
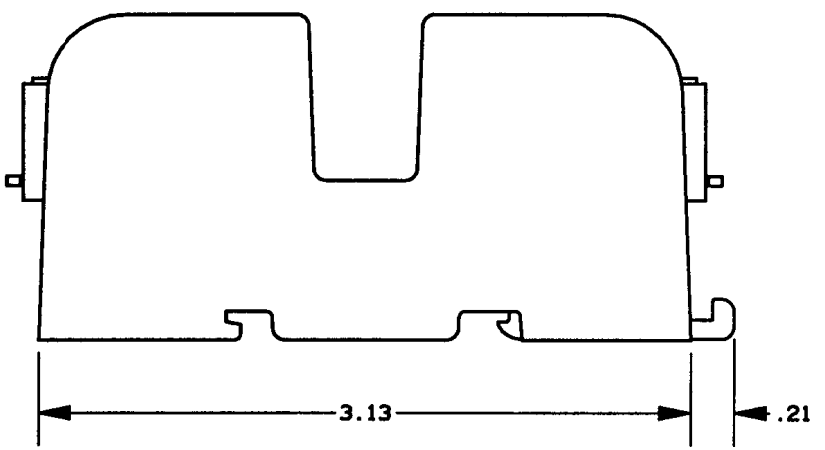
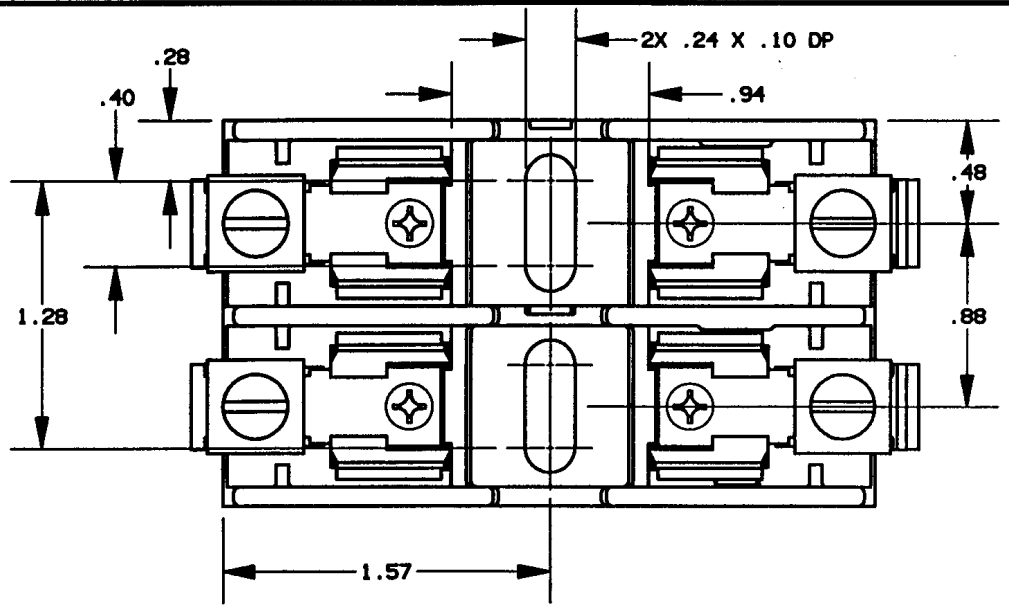


REV	DATE	ECO	DESCRIPTION	BY	CK	APP
-	27AUG97	N/A	INITIAL RELEASE	PRR	N/A	N/A



P/N	CONN TYPE	RMS SYM RATING	TORQUE (IN-LBS)	WIRE		U/L		CSA
				°C	TYPE	FILE NO.	GUIDE NO.	REPORT NO.
60357T	CU BOX	200K	35	60/75	CU ONLY	E52283	IZLT	LR32169

NOTES:
 1. TOLERANCES ±.015 UNLESS OTHERWISE SPECIFIED.
 2. MATERIAL COMPOSITION AND RATING THERMOPLASTIC-125°C RTI.

GOULD 374 MERRIMAC STREET
 NEWBURYPORT, MA 01950

PRODUCT MANAGER	DESIGN ENGINEER
SIGN: <i>Michael Z...</i>	SIGN: <i>St...</i>
DATE: 9-15-97	DATE: 9/2/97

**FUSE BLOCK, 600V-30A, 2 POLE
 CLASS T**

OUTLINE DIMENSIONS
 NOT TO BE USED FOR PRODUCTION

700237