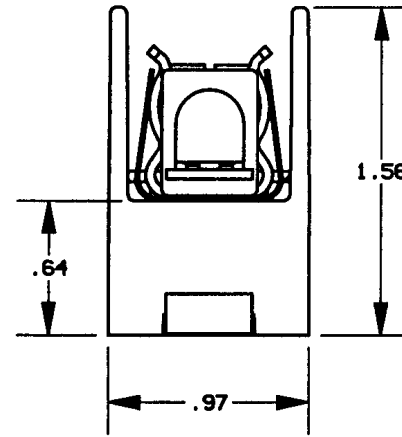
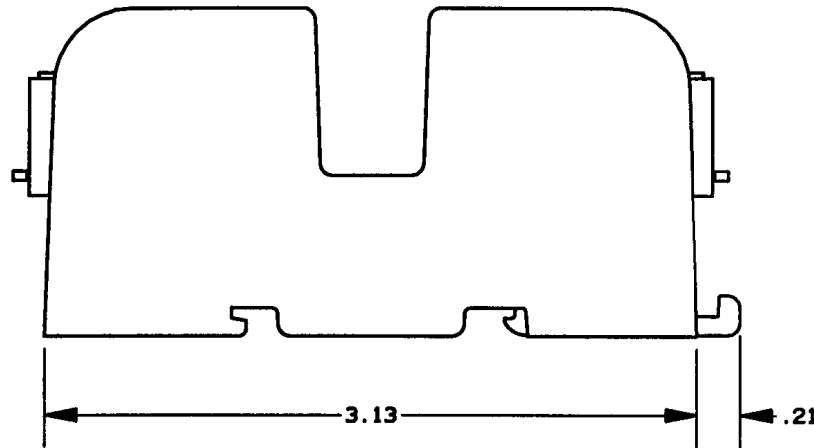
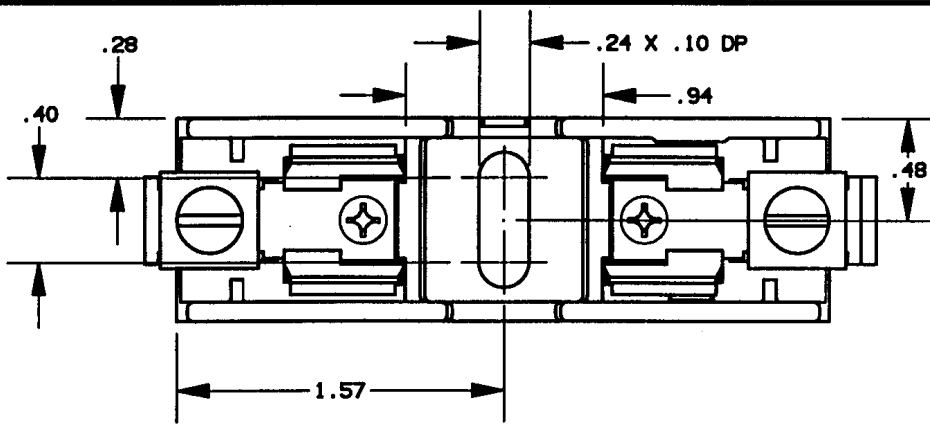


REV	DATE	ECO	DESCRIPTION	BY	CK	APP
-	26AUG97	N/A	INITIAL RELEASE	PRR	N/A	N/A



P/N	CONN TYPE	RMS SYM RATING	TORQUE (IN-LBS)	WIRE		U/L		CSA
				°C	TYPE	FILE NO.	GUIDE NO.	REPORT NO.
60306T	AL BOX	200K	35	60/75	CU-AL	E52283	IZLT	LR32169

NOTES:

1. TOLERANCES ±.015 UNLESS OTHERWISE SPECIFIED.
2. MATERIAL COMPOSITION AND RATING THERMOPLASTIC-125°C RTI.

**GOULD** 374 MERRIMAC STREET  
NEWBURYPORT, MA 01950

PRODUCT MANAGER  
SIGN: *Michael Zilka*  
DATE: 9-15-97

DESIGN ENGINEER  
SIGN: *Steve M. Berg*  
DATE: 9/12/97

FUSE BLOCK, 600V-30A, 1 POLE  
CLASS T

OUTLINE DIMENSIONS  
NOT TO BE USED FOR PRODUCTION

700232