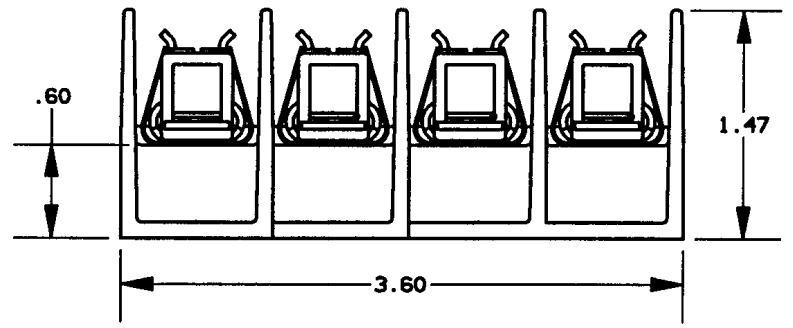
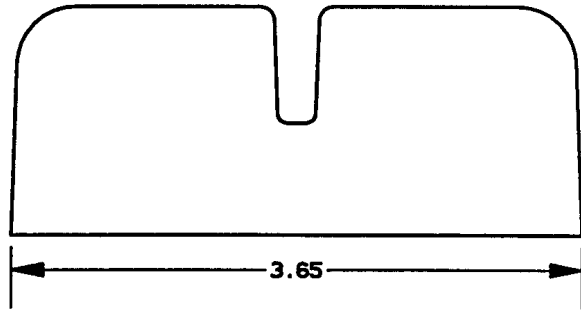
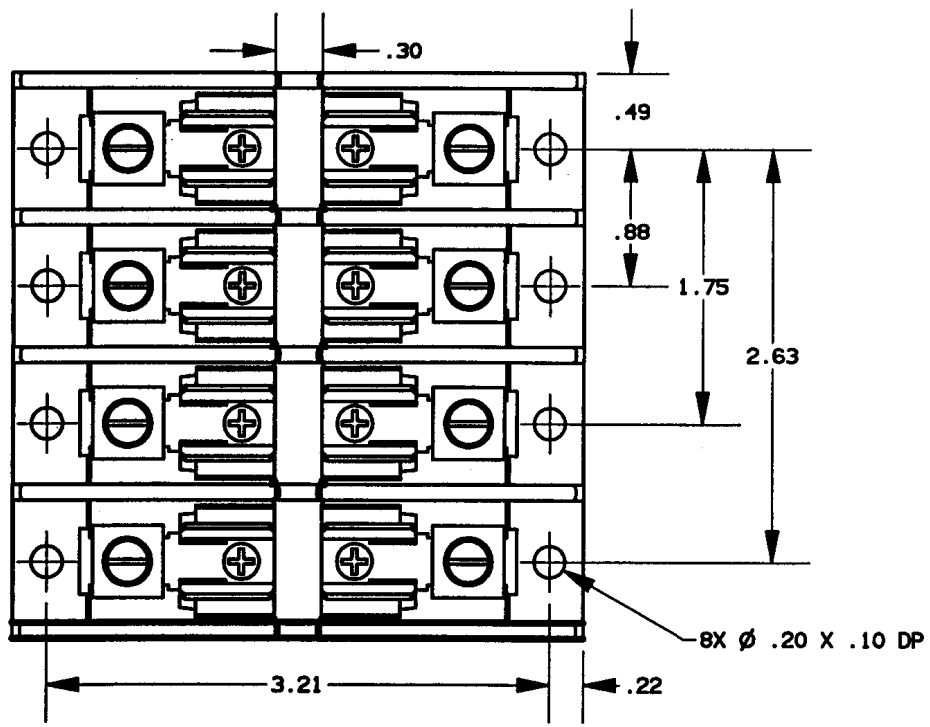


REV	DATE	ECO	DESCRIPTION	BY	CK	APP
-	27AUG97	N/A	INITIAL RELEASE	PRR	N/A	N/A



P/N	CONN TYPE	RMS SYM RATING	TORQUE (IN-LBS)	WIRE		U/L		CSA
				°C	TYPE	FILE NO.	GUIDE NO.	REPORT NO.
30359T	CU BOX	200K	35	60/75	CU ONLY	E52283	IZLT	LR32169

- NOTES:
1. TOLERANCES ±.015 UNLESS OTHERWISE SPECIFIED.
  2. MATERIAL COMPOSITION AND RATING THERMOPLASTIC-125°C RTI.

**GOULD** 374 MERRIMAC STREET  
NEWBURYPORT, MA 01950

<b>PRODUCT MANAGER</b> SIGN: <i>Michael D. L...</i> DATE: 9-15-97	<b>DESIGN ENGINEER</b> SIGN: <i>Steve M. B...</i> DATE: 9/12/97
---	---

**FUSE BLOCK, 300V-30A, 4 POLE  
CLASS T**

OUTLINE DIMENSIONS  
NOT TO BE USED FOR PRODUCTION

700207