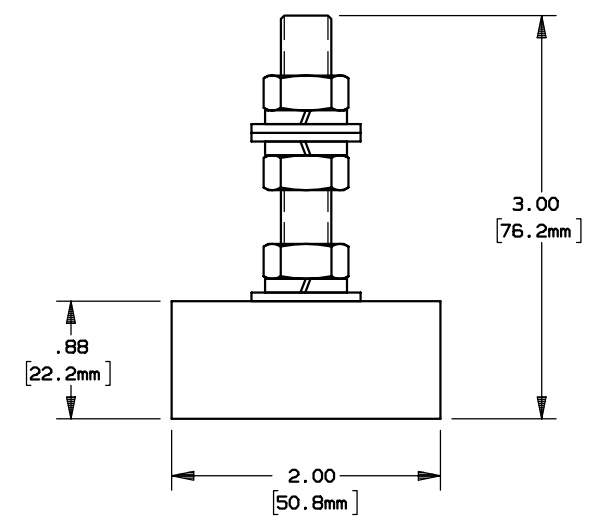
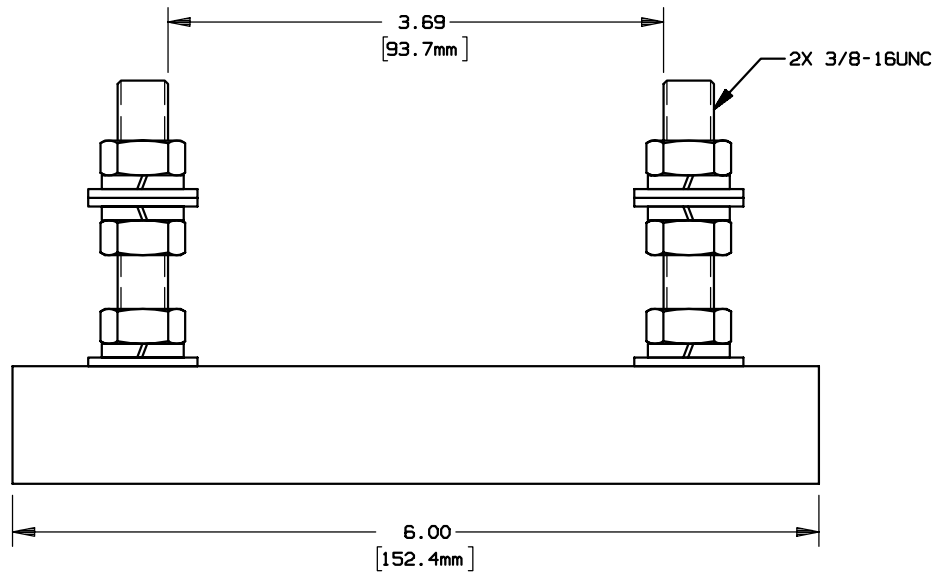
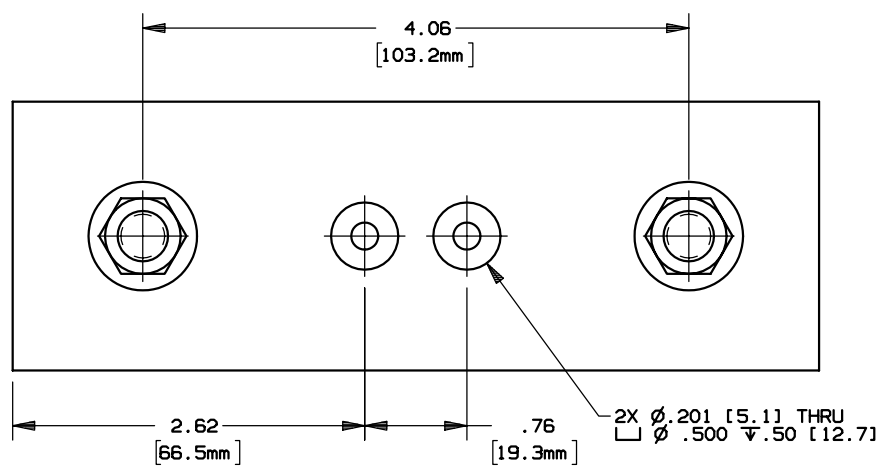


REV	DATE	ECO	DESCRIPTION	BY	CK	APP
N	1/16/07	NA	REDRAWN-WAS ON 16425 REV M	DRL	NA	NA



Ferraz Shawmut
 FERRAZ SHAWMUT INC.
 374 MERRIMAC STREET
 NEWBURYPORT, MA 01950

PRODUCT MANAGER DESIGN ENGINEER

SIGN: SIGN:
 DATE: DATE:

FUSE BLOCK
 FORM 101 SINGLE-POLE
 P266A

OUTLINE DIMENSIONS
 NOT TO BE USED FOR PRODUCTION

16425