

MULTIBLOC® 800V

Size 00, 80A - Size 1, 160A - Size 2, 250A - Size 3, 315A

Design for Bottom Fitting, 3-pole

IEC FUSE SWITCH DISCONNECTORS

NH FUSE SWITCH DISCONNECTOR



The production programme of MULTIBLOC® 800VAC comprises NH fuse switch disconnectors for 800VAC voltage application. This range includes Size 00 (00.ST9), Size 1 (1.ST8), Size 2 (2.ST8) and Size 3 (3.ST8) Multibloc and answers the specific needs of Photovoltaic application for using String inverters rated at 800Vac. They are designed for bottom fitting/panel installation and are available in triple pole units.

For installation of MULTIBLOC® NH fuse switch disconnectors in distribution units with central cover, respective covers are used to obtain a uniform profile in height and length.

MULTIBLOC® size 00, size 1, size 2 and size 3 are designed for NH fuse-links in accordance with IEC/EN 60269, VDE 0636, size 00, size 1, size 2 and size 3 - 80A, 160A, 250A and 315A.

MULTIBLOC® offers the user the possibility of fast and easy installation as well as a high degree of security during installation and maintenance.

TECHNICAL DATA OVERVIEW

Voltage AC	800 VAC
Ampere Range (A)	80 ... 315 A
Size per Standard	Size 00, Size 1, Size 2, Size 3
SCCR	Ue=AC 800V; Ie=80 A 10kA Ue=AC 800 V; Ie=160 A 10kA Ue=AC 800 V; Ie=250 A 10kA Ue=AC 800V; Ie=315 A 10kA
Mounting	bottom fitting/panel
Switchability	3-pole switching

FEATURES & BENEFITS

- Touch protection IP 20 - when fuse link is in test mode IP rating is maintained
- Parking position of switch operating cover even with fuse-links inserted
- Modular system of cover - cover for cable termination area can be extended as required
- Varieties of cable termination: screw, bolt, clamp strap, extendable for V-terminal - optional
- Padlocking and sealing of switch door cover - optional
- Indicating switch for switch door position - optional
- Installation on to DIN rails in accordance with EN 60 715 - optional
- Safe on load connection/disconnection in accordance with IEC 60947-3

APPLICATIONS

- Power distribution and Motor protection
- Photovoltaic application: Protection on lines of String inverters rated at 800Vac

STANDARDS

- IEC/EN 60 947-3
For NH-fuse links size 00, size 1, size 2 and size 3 in accordance with IEC/EN 60 269, VDE 0636



MULTIBLOC® 800V

Size 00, 80A - Size 1, 160A - Size 2, 250A - Size 3, 315A

Design for Bottom Fitting, 3-pole

PRODUCT RANGE



8.030.000

MULTIBLOC® 00.ST9 size 00 80A, 800VAC bottom fitting, triple pole

Catalog number	Item number	Poles	Cable termination components	Package	Weight
8.030.000	X1210625	3	6 M8 terminal screws	1 piece	0.75 kg
8.031.000	Z1210627	3	6 clamp straps Cu 4-70mm ²	1 piece	0.75 kg
8.032.000	A1210628	3	6 Al/Cu clamps 1,5-70 mm ² round stranded, 95 mm ² sectoral solid	1 piece	0.85 kg



8.000.299

MULTIBLOC® 1.ST8 size 1 160A, 800VAC bottom fitting, triple pole

Catalog number	Item number	Poles	Cable termination components	Package	Weight
8.000.299	B1069363	3	6 M10 terminal screws	1 piece	2.42 kg
8.001.239	C1069364	3	3 clamp straps 70-150 mm ² 3 M10 terminal screws	1 piece	2.42 kg
8.002.562	D1069365	3	6 clamp straps 70-150 mm ²	1 piece	2.42 kg



8.000.504

MULTIBLOC® 2.ST8 size 2 250A, 800VAC bottom fitting, triple pole

Catalog number	Item number	Poles	Cable termination components	Package	Weight
8.000.504	E1069366	3	6 M10 terminal screws	1 piece	3.5 kg
8.001.240	F1069367	3	3 clamp straps 120-240 mm ² 3 M10 terminal screws	1 piece	3.5 kg
8.002.563	G1069368	3	6 clamp straps 120-240 mm ²	1 piece	3.5 kg



8.001.125

MULTIBLOC® 3.ST8 size 3 315A, 800VAC bottom fitting, triple pole

Catalog number	Item number	Poles	Cable termination components	Package	Weight
8.001.125	T1210622	3	6 M12 terminal screws	1 piece	4.94 kg
8.001.241	W1210624	3	3 clamp straps 150-300 mm ² 3 M12 terminal screws	1 piece	5.13 kg

MULTIBLOC® 800V

Size 00, 80A - Size 1, 160A - Size 2, 250A - Size 3, 315A

Design for Bottom Fitting, 3-pole

TECHNICAL DATA IN ACCORDANCE WITH EN / IEC 60947

	00.ST9 triple pole	1.ST8 triple pole	2.ST8 triple pole	3.ST8 triple pole
Number of poles/phases	3	3	3	3
Size	00	1	2	3
Conventional free air thermal current with NH-fuse links I_{th}	80 A	160 A	250 A	315 A
Max. power dissipation of fuse links P_n	12 W	23 W	34 W	48 W
Rated operational voltage U_e	800 V	800 V	800 V	800 V
Utilization category to IEC/EN 60947-3 $U_e = AC 800 V; I_e = 80 A$ $U_e = AC 800 V; I_e = 160 A$ $U_e = AC 800 V; I_e = 250 A$ $U_e = AC 800 V; I_e = 315 A$	AC 21 B - - -	- AC 21 B - -	- - AC 21 B -	- - - AC 21 B
Rated insulation voltage U_i	1000 V	1000 V	1000 V	1000 V
Rated impulse withstand voltage U_{imp}	8 kV	12 kV	12 kV	12 kV
Rated frequency	50 ... 60 Hz	50 ... 60 Hz	50 ... 60 Hz	50 ... 60 Hz
Degree of protection	IP 20	IP 20	IP 20	IP 20
Degree of pollution	3	3	3	3
Rated duty	uninterrupted duty	uninterrupted duty	uninterrupted duty	uninterrupted duty
Power dissipation by I_{th} without NH-fuse links	3 W	6 W	12 W	15 W
Cable terminal connection				
Standard cable terminal	M8	M10	M10	M12
for cable lugs Cu max.	2 x 70 mm ²	2 x 150 mm ²	2 x 185 mm ²	2 x 240 mm ²
for cable lugs Al max.	2 x 70 mm ²	2 x 185 mm ²	2 x 240 mm ²	2 x 300 mm ²
for copper bars with max. dimensions	20 x 5 mm	30 x 10 mm	35 x 10 mm	45 x 10 mm
Installation mode	bottom fitting	bottom fitting	bottom fitting	bottom fitting

MULTIBLOC® 800V

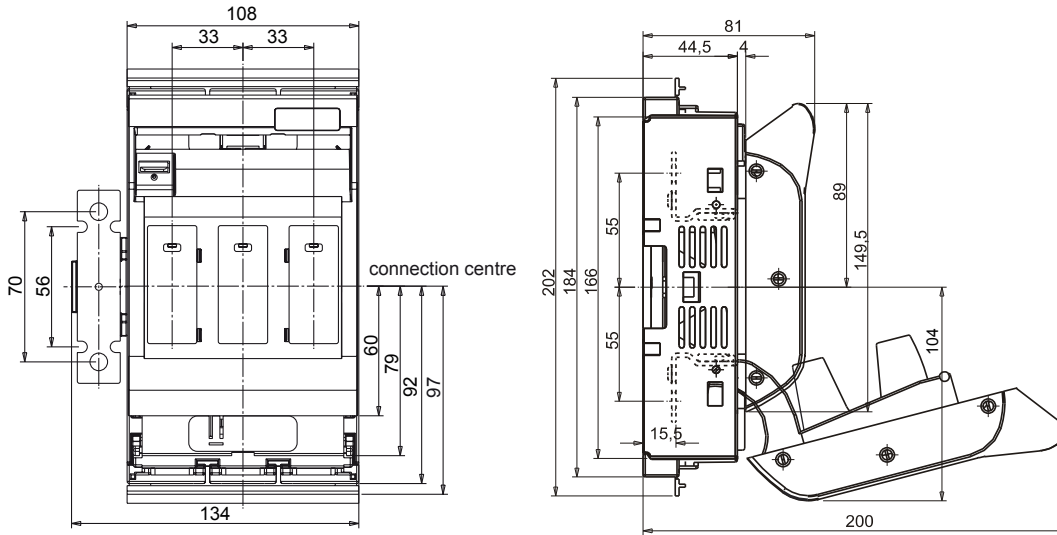
Size 00, 80A - Size 1, 160A - Size 2, 250A - Size 3, 315A

Design for Bottom Fitting, 3-pole

DIMENSIONS

MULTIBLOC® 800 V AC NH-fuse switch disconnecter
Size 00, triple pole design for bottom fitting

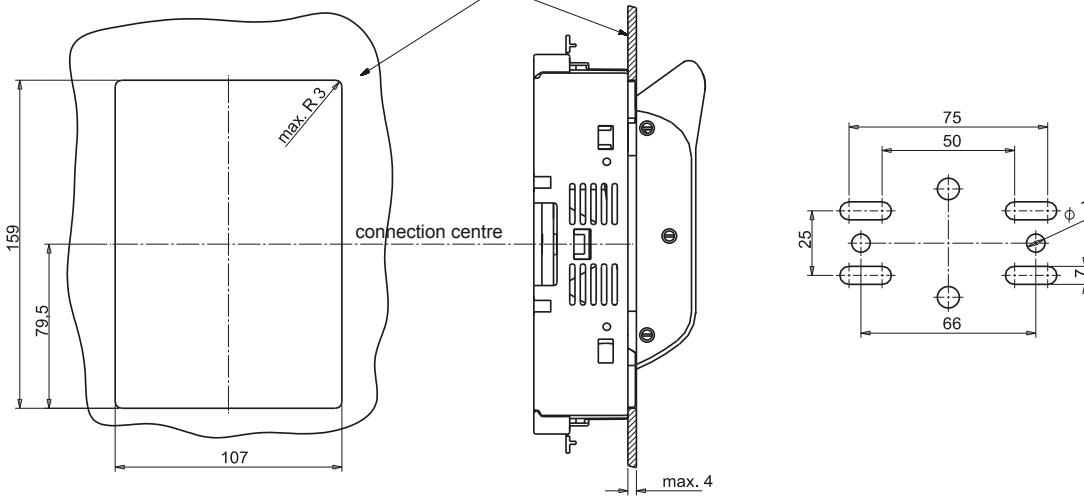
(M01169)



dimensions of switch board cut out
 for bottom fixing without cover shield

switch board

dimensions for bottom fitting



Dimensions in mm

MULTIBLOC® 800V

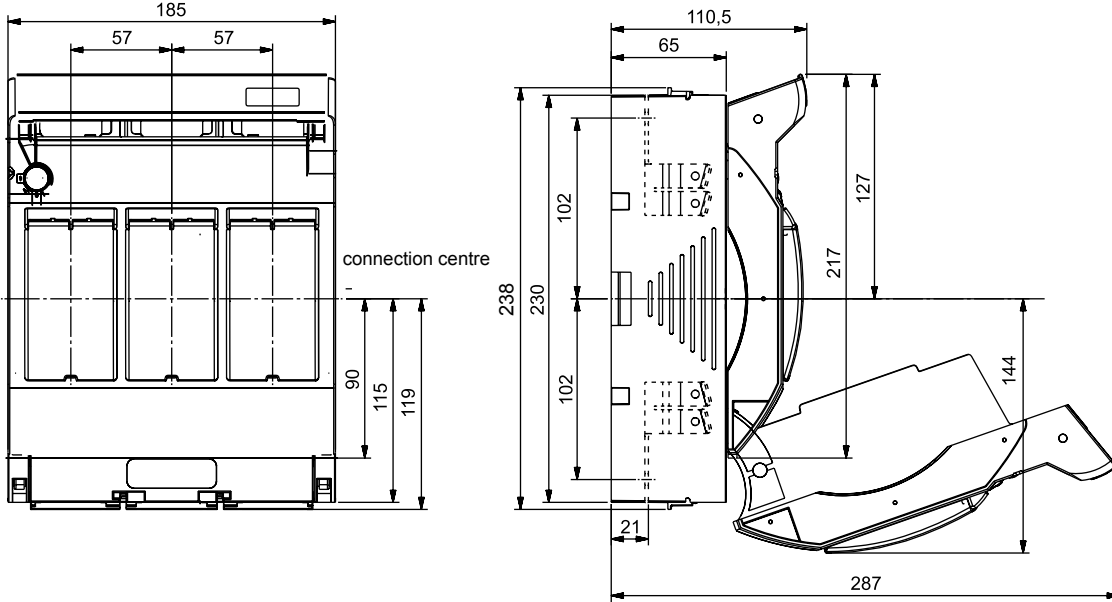
Size 00, 80A - Size 1, 160A - Size 2, 250A - Size 3, 315A

Design for Bottom Fitting, 3-pole

DIMENSIONS

MULTIBLOC® 800 V AC NH-fuse switch disconnecter
Size 1, triple pole design for bottom fitting

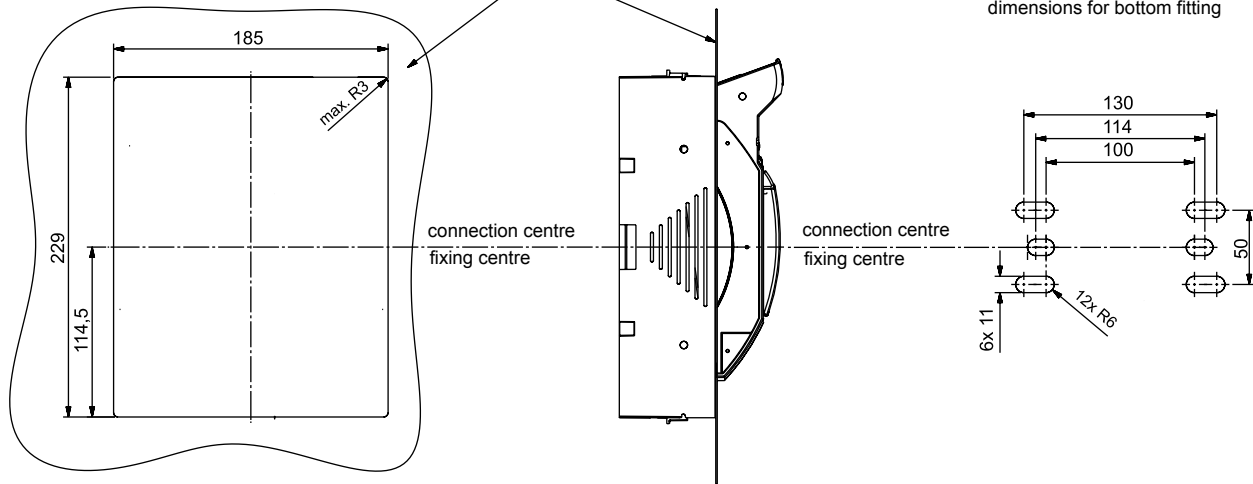
(M01121a)



dimensions of switch board cut out
 for bottom fixing without cover shield

max. thickness
 of switch board 2mm

dimensions for bottom fitting



Dimensions in mm

MULTIBLOC® 800V

Size 00, 80A - Size 1, 160A - Size 2, 250A - Size 3, 315A

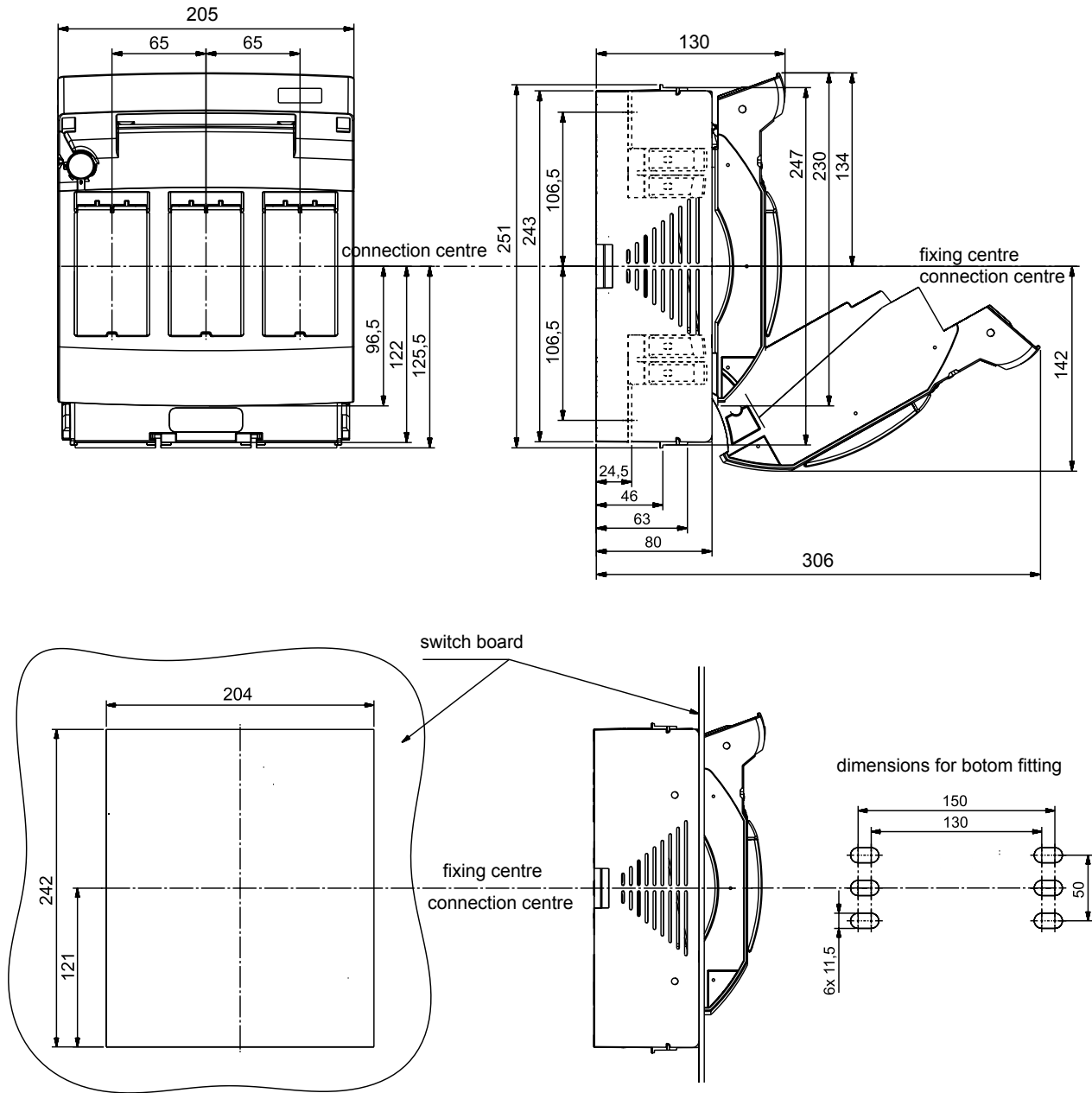
Design for Bottom Fitting, 3-pole

DIMENSIONS

MULTIBLOC® 800 V AC NH-fuse switch disconnecter

Size 2, triple pole design for bottom fitting

(M01131)



Dimensions in mm

MULTIBLOC® 800V

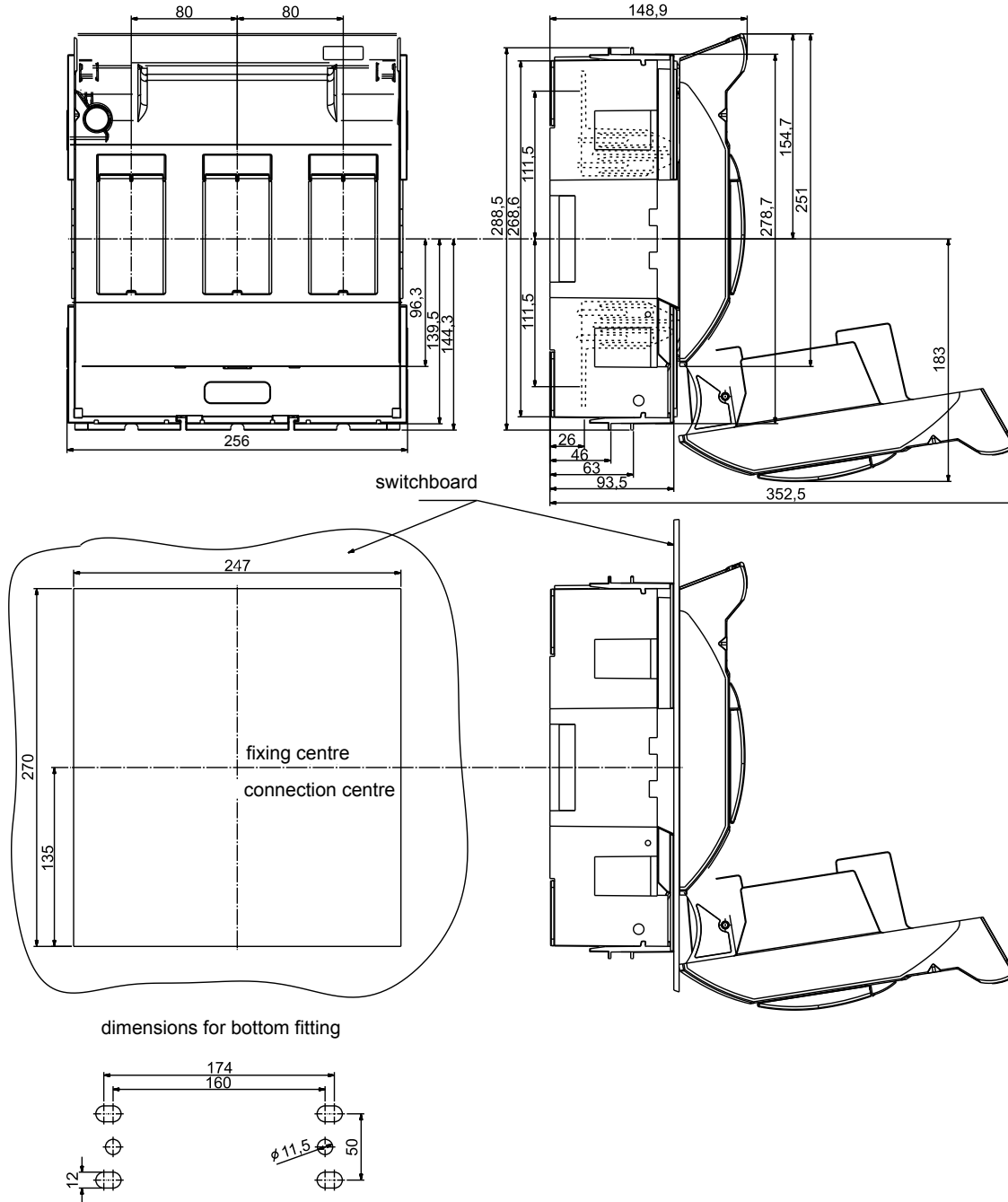
Size 00, 80A - Size 1, 160A - Size 2, 250A - Size 3, 315A

Design for Bottom Fitting, 3-pole

DIMENSIONS

MULTIBLOC® 800 V AC NH-fuse switch disconnecter
Size 3, triple pole design for bottom fitting

(M01141)



Dimensions in mm

MULTIBLOC® 800V

Size 00, 80A - Size 1, 160A - Size 2, 250A - Size 3, 315A

Design for Bottom Fitting, 3-pole

DIMENSIONS

Cable termination size 1 (MA 98e-1)

screw terminal:
(standard)

M10x20 screw
tightening torque 20Nm

spring washer M10

cable lug
or
copper bar

size. 1: for values x smaller than 2.5 mm
use washer in addition

bolt terminal:
(standard)

M10 nut
tightening torque 20Nm

spring washer M10

washer

M10x30 screw
tightening torque 20Nm

terminal: clamp strap:
(option/accessory)

Gr.1: M6x30 screw
tightening torque 6Nm

spring ring

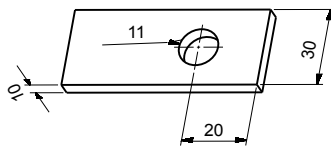
clamp strap

screw and bolt terminal for

cable lugs:

size. 1:	DIN 46234 max. 150mm ²	2
	DIN 46235 max. 150mm ²	2
	DIN 46329 max. 185mm ²	2

copper bars:



size 1:

for round stranded conductors 70-150mm²
for bars or laminated copper 18 x 7-18

Dimensions in mm

MULTIBLOC® 800V

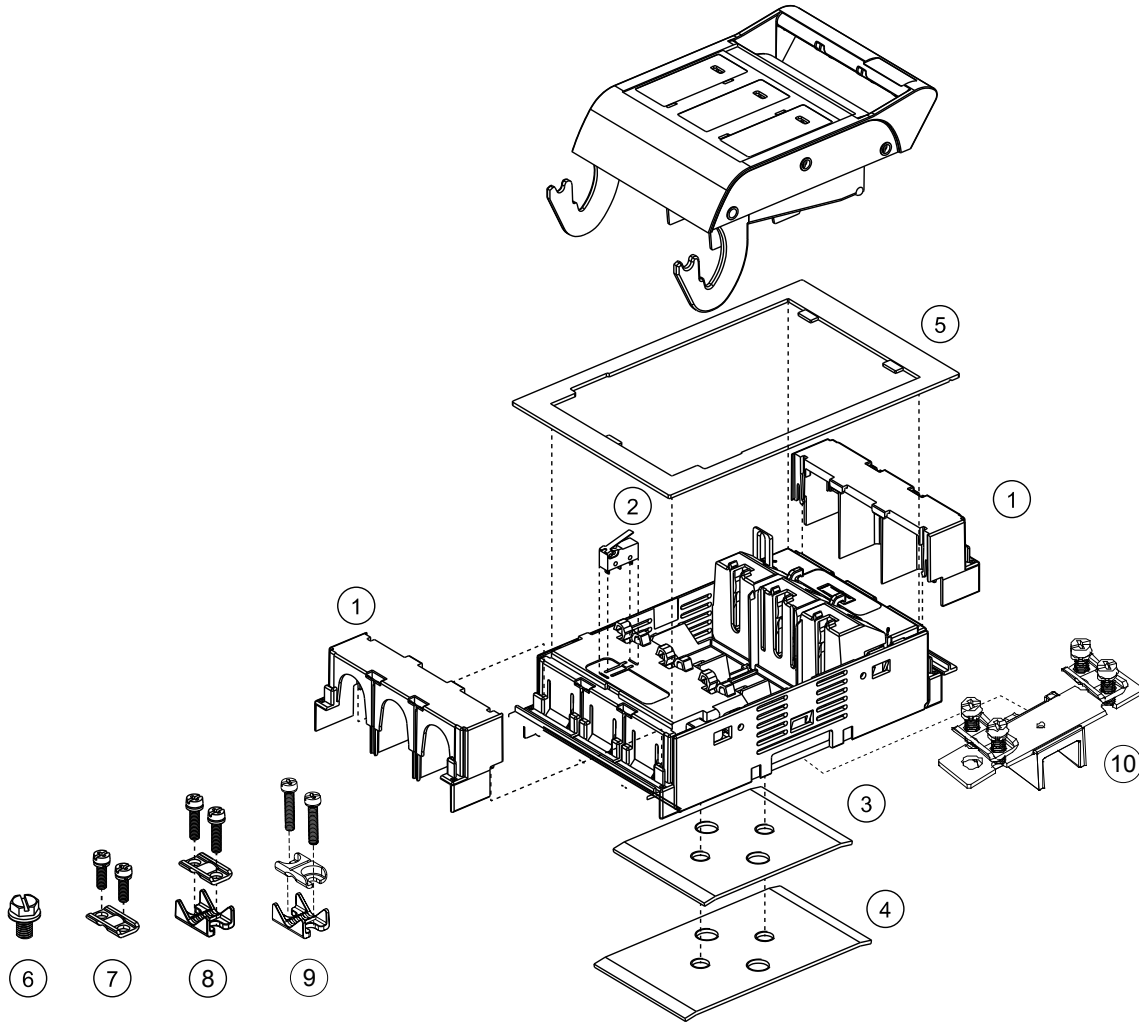
Size 00, 80A - Size 1, 160A - Size 2, 250A - Size 3, 315A

Design for Bottom Fitting, 3-pole

EXPLODED SKETCH

MULTIBLOC® 00.ST9 NH- fuse switch disconnecter
triple pole design for bottom fitting

(E1.002.784)



no.	articlenumber	short Description
1	1.000.148	Cover for cable termination, triple pole
2	1.000.852	indicator for switch door position
3	1.000.153	Set for mounting on DIN rails 125mm
4	1.000.154	Set for mounting on DIN rails 150mm
5	1.000.126	Cover shield for one switch
6	00SZS	M8 terminal screw screw,1 Set = 3 pieces
7	00SZESK	Clamp strap 4 - 70mm ² , set = 3 pieces
8	00SZA70	Al/Cu clamp 1-5 - 70mm ² , set = 3 pieces
9	1.003.571	Al/Cu clamp 50 - 95 mm ² , set = 3 pieces
10	00SZS	M8 terminal screw screw,1 Set = 3 pieces

MULTIBLOC® 800V

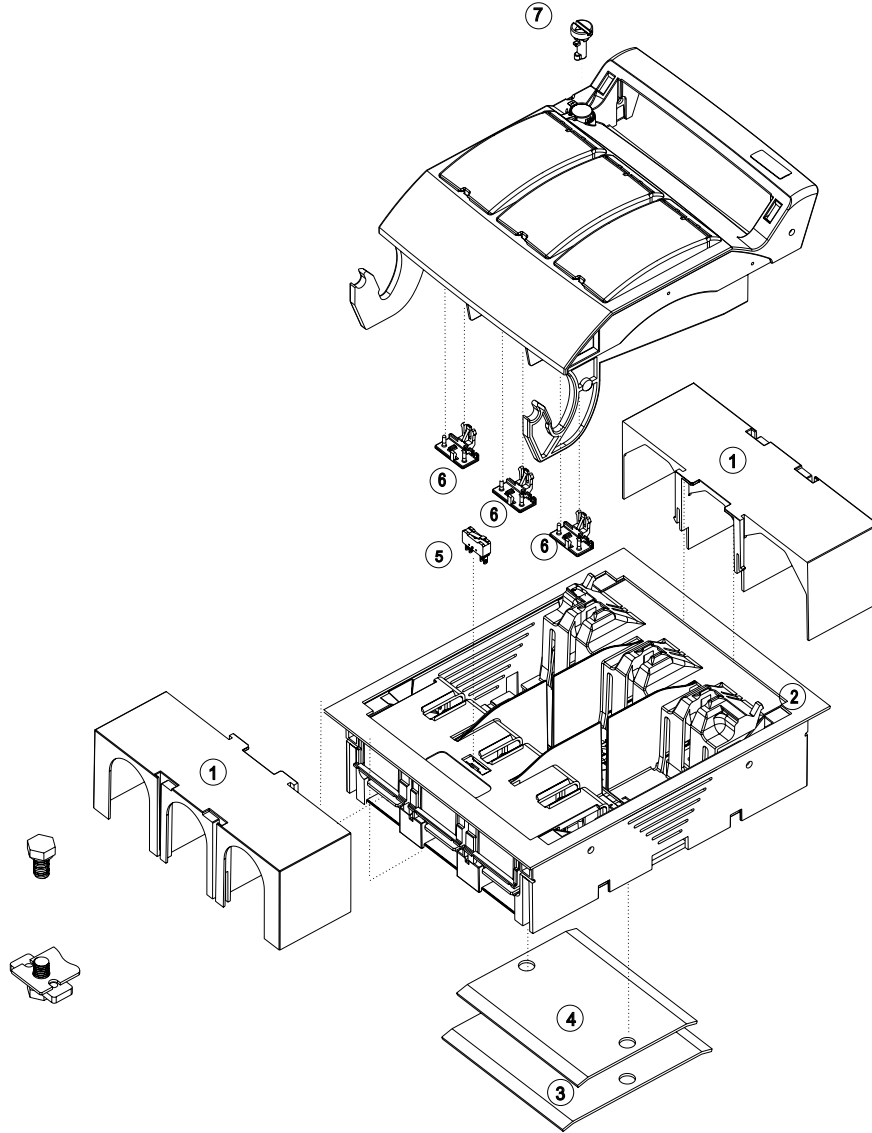
Size 00, 80A - Size 1, 160A - Size 2, 250A - Size 3, 315A

Design for Bottom Fitting, 3-pole

EXPLODED SKETCH

MULTIBLOC® 1.ST8 NH- fuse switch disconnector
triple pole design for bottom fitting

(E 1.000.347)



no.	articlenumber	short Description
1	1.000.382	Cover for cable termination triple pole
2	1.000.353	Cover shield, 210 x 260 mm
3	1.000.384	Set for mounting on DIN rails 125mm,
4	1.000.383	Set for mounting on DIN rails 150mm
5	1.000.852	indicator for switch door position
6	1.000.150	Locking device f. windows, 1 Set=3 pieces
7	1.000.155	Cover sealing device, installation set

MULTIBLOC® 800V

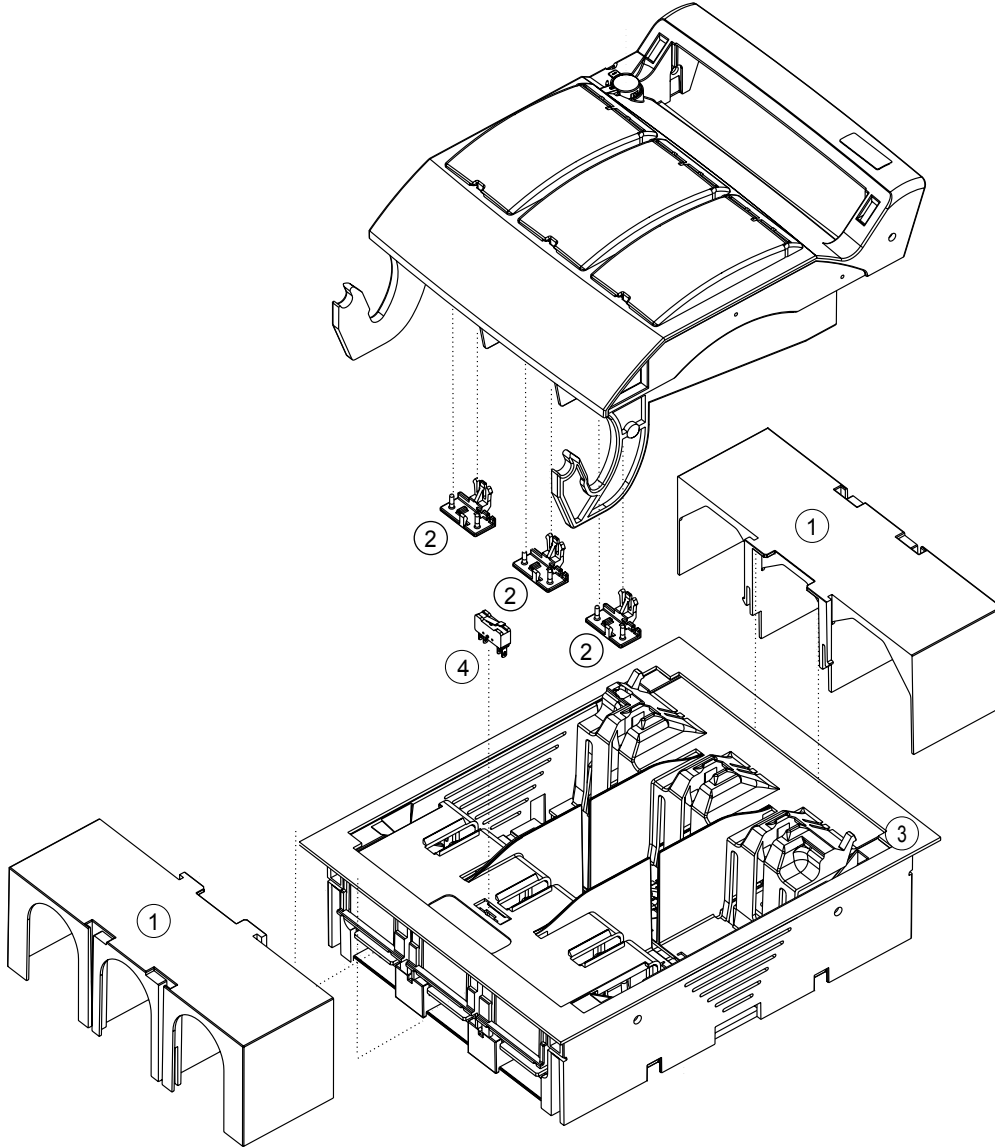
Size 00, 80A - Size 1, 160A - Size 2, 250A - Size 3, 315A

Design for Bottom Fitting, 3-pole

EXPLODED SKETCH

MULTIBLOC® 2.ST8 NH- fuse switch disconnecter
triple pole design for bottom fitting

(E 1.000.595)



no.	articlenumber	short Description
1	1.000.861	Cover for cable termination, set = 2 pcs.
2	1.000.150	Locking device f. windows, 1 Set=3 pieces
3	1.000.863	Cover shield 230 x 300 mm
4	1.000.852	indicator for switch door position

MULTIBLOC® 800V

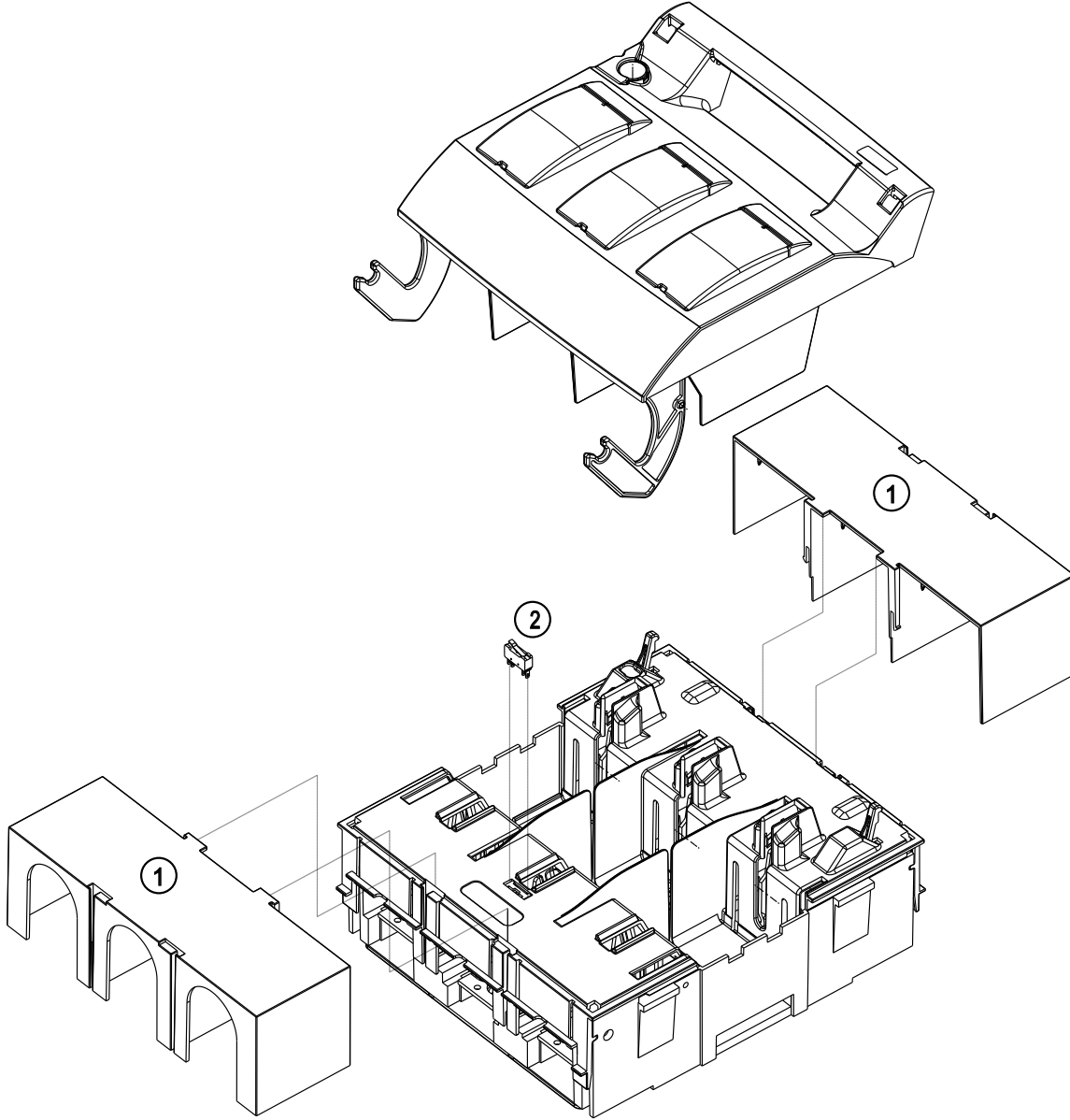
Size 00, 80A - Size 1, 160A - Size 2, 250A - Size 3, 315A

Design for Bottom Fitting, 3-pole

EXPLODED SKETCH

MULTIBLOC® 3.ST8 NH- fuse switch disconnecter
triple pole design for bottom fitting

(E1.001.523)



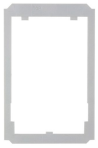
no.	articlenumber	short Description
1	1.000.893	cover for cable termination,1 set=2 pcs.
2	1.000.852	indicator for switch door position

MULTIBLOC® 800V

Size 00, 80A - Size 1, 160A - Size 2, 250A - Size 3, 315A

Design for Bottom Fitting, 3-pole

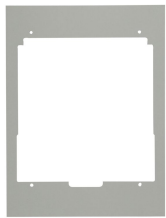
ACCESSORIES



1.000.126



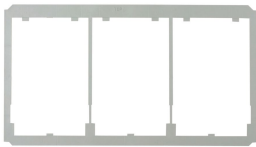
1.000.353



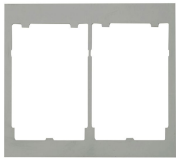
1.002.351



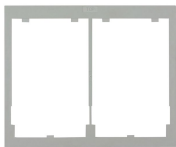
1.003.431



1.000.128



1.002.874



1.000.127

Cover shields

Catalog number	Item number	Design	Package	Weight
1.000.126	Y229285	cover shield for installation in distribution units size (width x height): 123 x 190 mm for one 00.ST9/00.RST9	1 piece	22 g
1.000.127	Z229286	cover shield for installation in distribution units size (width x height): 231 x 190 mm for two 00.ST9/00.RST9	1 piece	46 g
1.000.128	A229287	cover shield for installation in distribution units size (width x height): 339 x 190 mm for three 00.ST9/00.RST9	1 piece	30 g
1.000.353	Z229884	cover shield for installation in distribution units size (width x height): 210 x 260 mm for one 1.ST8/1.RST8 triple pole	1 piece	68 g
1.002.351	X1022968	cover shield for installation in distribution units size (width x height): 230 x 283 mm for one 1.ST8/1.RST8 triple pole	1 piece	90 g
1.002.870	R1022963	cover shield for installation in distribution units size (width x height) 231 x 210 mm for one 00.ST9/00.RST9 + lateral spare way cover right side	1 piece	95 g
1.002.874	S1022964	cover shield for installation in distribution units size (width x height): 231 x 210 mm for two 00.ST9/00.RST9	1 piece	57 g
1.003.431	N1022960	cover shield for installation in distribution units size (width x height): 123 x 210 mm for one 00.ST9/00.RST9	1 piece	30 g

MULTIBLOC® 800V

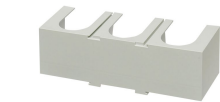
Size 00, 80A - Size 1, 160A - Size 2, 250A - Size 3, 315A

Design for Bottom Fitting, 3-pole

ACCESSORIES



1.000.382



1.000.893



1.003.319

Covers/shrouds for cable termination

Catalog number	Item number	Design	Package	Weight
1.000.148	W229283	cover for cable terminal connection for 00.ST9 triple pole, 1 set = 2 pieces	1 set	43 g
1.000.382	V229880	cover for cable terminal connection for 1.ST8 triple pole, 1 set = 2 pieces	1 set	0.29 kg
1.000.893	P1002169	cover for cable terminal connection for 3.ST8 triple pole, 1 set = 2 pieces	1 set	0.50 kg
1.003.319	L1022981	cover for cable terminal connection for 3.ST8 quadruple pole	1 piece	0.25 kg



1.000.153



1.000.154



1.000.383



1.000.384

Installation devices

Catalog number	Item number	Design	Package	Weight
1.000.153	C229887	adapter for installation between DIN-rails in accordance with EN 60715, DIN-rail distance 125mm for 00.ST9 triple pole	1 piece	0.24 kg
1.000.154	D229888	adapter for installation between DIN-rails in accordance with EN 60715, DIN-rail distance 150mm for 00.ST9 triple pole	1 piece	0.29 kg
1.000.383	E229291	adapter for installation on to DIN-rails in accordance with EN 60 715-150 mm for 1.ST8 triple pole	1 piece	3.1 kg
1.000.384	D229290	adapter for installation on to DIN-rails in accordance with EN 60 715-125 mm for 1.ST8 triple pole	1 piece	3.1 kg



1.000.852

Indication facilities

Catalog number	Item number	Design	Package	Weight
1.000.852	Q1002285	indicator for switch door position micro switch, 1 change-over contact 5 A, 250 V	1 piece	90 g

MULTIBLOC® 800V

Size 00, 80A - Size 1, 160A - Size 2, 250A - Size 3, 315A

Design for Bottom Fitting, 3-pole

ACCESSORIES



1.000.155

Locking and sealing devices/cover sealing device

Catalog number	Item number	Design	Package	Weight
1.000.155	L229297	cover sealing device-installation set for 00.ST8 1-, 2-, 4-pole and 1.ST8/RST8	1 piece	10 g



1.000.150

Locking and sealing devices/locking device for window

Catalog number	Item number	Design	Package	Weight
1.000.150	K229296	locking device for window for 00.ST8 1-, 2-, 4-pole and 1./2.ST8/RST8 1 set = 3 pieces	1 set	20 g



00SZESK



00SZS



00SZSV6

Varieties of cable termination

Catalog number	Item number	Design	Package	Weight
00SZA70	R211523	Al/Cu clamp 1,5–70 mm ² for switch gear size 00 1 set = 3 pieces	1 set	75 g
00SZESK	E214594	clamp strap Cu 4–70 mm ² for switch gear size 00 1 set = 3 pieces	1 set	35 g
00SZS	M229298	M8 terminal screw for switch gear size 00 1 set = 3 pieces	1 set	35 g
00SZSV6	K1022957	V-shaped lug size 00, M8, for V-terminal clamp size 00 for switch gear size 00 with screw terminal supplementary set for V-terminal with V-terminal clamps 1 set = 3 pieces	1 set	0.13 kg
1.000.420	E229889	clamp strap 70–150 mm ² pour 1.ST8 1- 4-pôle + 1.RST8, 1 set = 3 pièces	1 set	0.14 kg
1.001.238	C1002181	clamp strap size 3 150–300 mm ² , 1 set = 3 pieces	1 set	0.32 kg
1.001.830	J1023117	V-shaped lug size 1, M8, for V-terminal clamp size 1 for 1.ST8 1- to 4-pole + 1.RST8, supplementary set for V-terminal with use of V-clamps 1 set = 3 pieces	1 set	90 g
1.003.571	V1033684	Al/Cu clamp 50 -95 mm ² round stranded for switch gear size 00 1 set = 3 pieces	1 set	88 g



1.000.420



1.001.238



1.001.830