

# A70Q

Amp-Trap® Form 101

HIGH SPEED FUSES



A70Q Amp-Trap® high speed fuses were developed for inverter applications requiring extremely low I<sup>2</sup>t. A70Q fuses provide the most responsive protection for applications not required to sustain heavy overloads. Typically used for replacement purposes.

### FEATURES/BENEFITS:

- Lowest I<sup>2</sup>t of any fuse in this voltage rating for best overall protection
- 700V AC, 650V DC rating allows protection of greater variety of circuits
- Solid fill technology for extra reliability in performance

Catalog Numbering System				
<b>A</b>	<b>70</b>	<b>Q</b>	<b>500</b>	<b>- 4</b>
Amp-Trap® Fuse	Rated Volts - 700	Style	Amperes*	Mounting Types*  Blades, bolt-in: 4

\* For ampere ratings and styles not listed, call Technical Services at 978-465-4853.

### RATINGS

- **Volts:** 700VAC, 650VDC
- **Amps:** 35 to 600A
- **I.R.:** 100kA I.R. AC/DC
- **LR:** 10ms

### HIGHLIGHTS:

- Extremely fast acting
- Current limiting
- Lowest I<sup>2</sup>t

### APPLICATIONS:

- Protection of inverters and other equipment requiring the best AC or DC protection in this voltage range

### APPROVALS:

- UL recognized component  
UL File E60314
- AC: guide no. JFHR2
- DC: tested to UL standard 198L parameters (35-600A)



### SINGLE POLE FUSE BLOCKS FOR A70Q FUSES

Fuse Ampere Rating	Catalog No.
35-100	P243C
125-400	P266A
450-600	P266F



Mersen products have been designed by Mersen for a range of specific applications to be operated depending on particular specification and conditions. Mersen makes no representation or/and warranty, and waives any liability, either express or implied for products' reliability and life time or technical performance in case Mersen has not been provided with customer's specifications or if the products are not purchased directly from Mersen or its distributors and/or agents.

CATALOG NUMBERS (AMPS)

A70Q35-4	A70Q70-4	A70Q125-4	A70Q250-4	A70Q450-4
A70Q40-4	A70Q80-4	A70Q150-4	A70Q300-4	A70Q500-4
A70Q50-4	A70Q90-4	A70Q175-4	A70Q350-4	A70Q600-4
A70Q60-4	A70Q100-4	A70Q200-4	A70Q400-4	

\* For ampere ratings and styles not listed, call Technical Services at 978-465-4853.

DIMENSIONS

Catalog No.	Mounting Type	Dimensions - Inches (mm)							
		A	B	C	D	E	F	G	H
A70Q35 to 60	4	4.37	1.22	1.96	3.69	2.91	.34	1.00	.19
		(111)	(31.0)	(49.8)	(93.7)	(73.9)	(8.6)	(25.4)	(4.8)
A70Q70 to 100	4	4.37	1.22	1.96	3.69	2.91	.41	1.00	.19
		(111)	(31.0)	(49.8)	(93.7)	(73.9)	(10.4)	(25.4)	(4.8)
A70Q125 to 200	4	5.09	1.50	1.96	4.16	2.91	.41	1.00	.25
		(129)	(38.1)	(49.8)	(106)	(73.9)	(10.4)	(25.4)	(6.4)
A70Q250 to 400	4	5.09	2.00	1.96	4.00	2.94	.56	1.50	.25
		(129)	(50.8)	(49.8)	(102)	(74.7)	(14.2)	(38.1)	(6.4)
A70Q450 to 600	4	7.09	2.50	1.96	5.72	3.25	.56	2.00	.38
		(180)	(63.5)	(49.8)	(145)	(82.6)	(14.2)	(50.8)	(9.7)

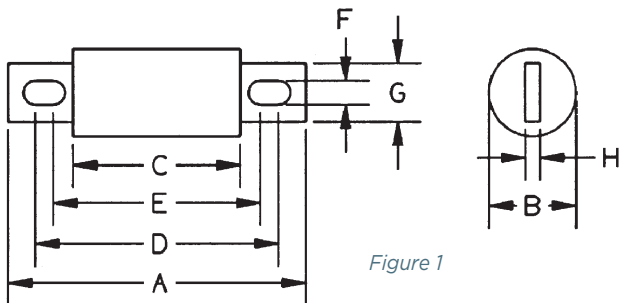


Figure 1