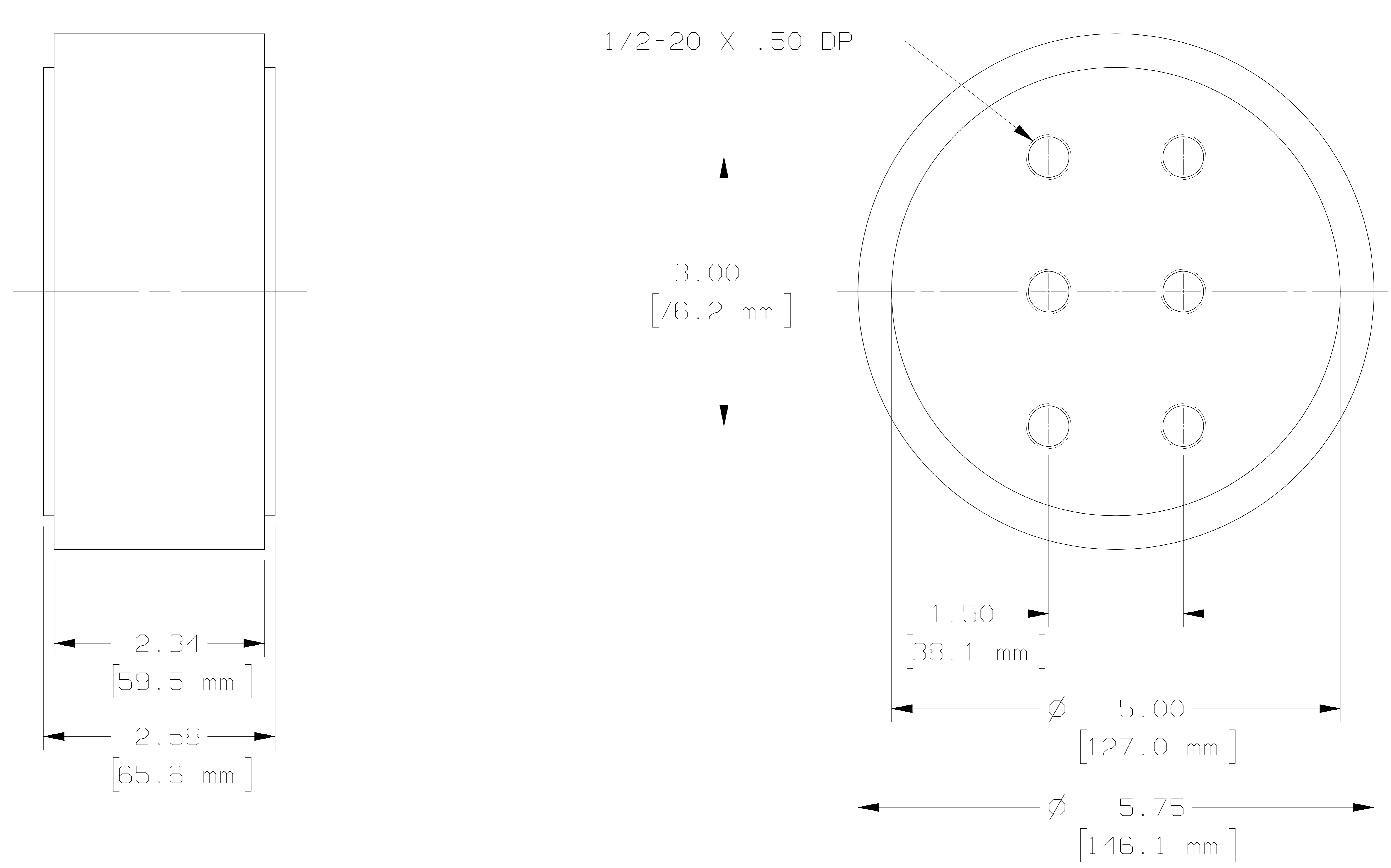


REV	DATE	ECO	DESCRIPTION	BY	CK	APP
-	7-17-03	NA	INITIAL RELEASE	KMH	NA	NA



MERSEN USA NEWBURYPORT-MA, LLC
 374 MERRIMAC STREET
 NEWBURYPORT, MA 01950

A30QS(5000 - 6000)-128

OUTLINE DIMENSIONS
 NOT TO BE USED FOR PRODUCTION

PRODUCT MANAGER

DESIGN ENGINEER

FORM 101
 SEMICONDUCTOR FUSE

SIGN:
 DATE:

SIGN:
 DATE:

5000-6000AMPS 300VAC IEC/330VAC MAX

700999