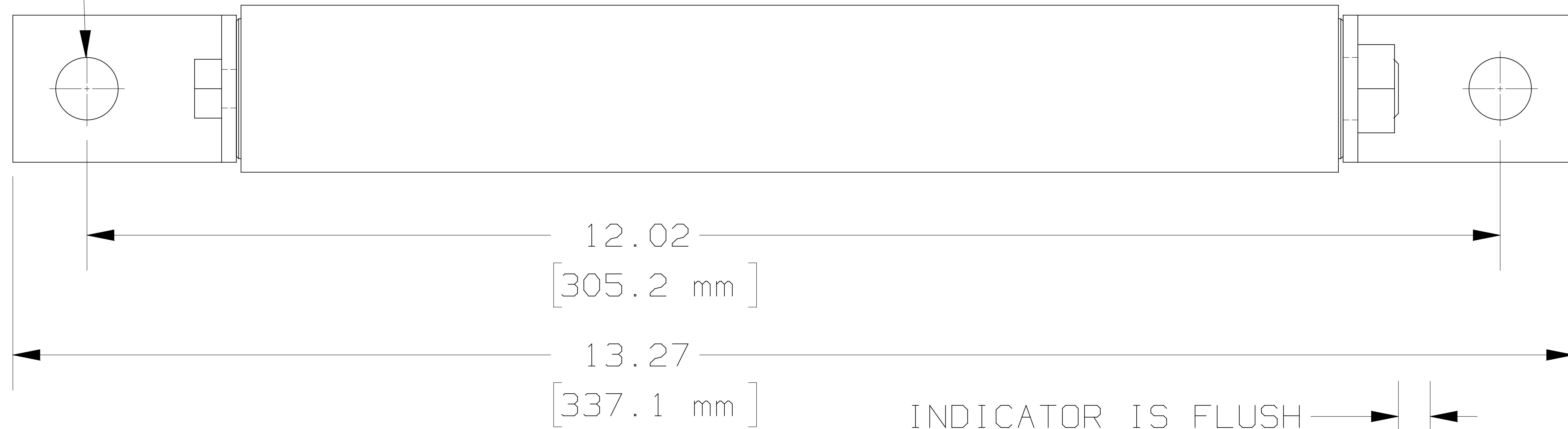


REV	DATE	ECO	DESCRIPTION	BY	CK	APP
-	7-2-03	NA	INITIAL RELEASE	KMH		NA

2X Ø .53

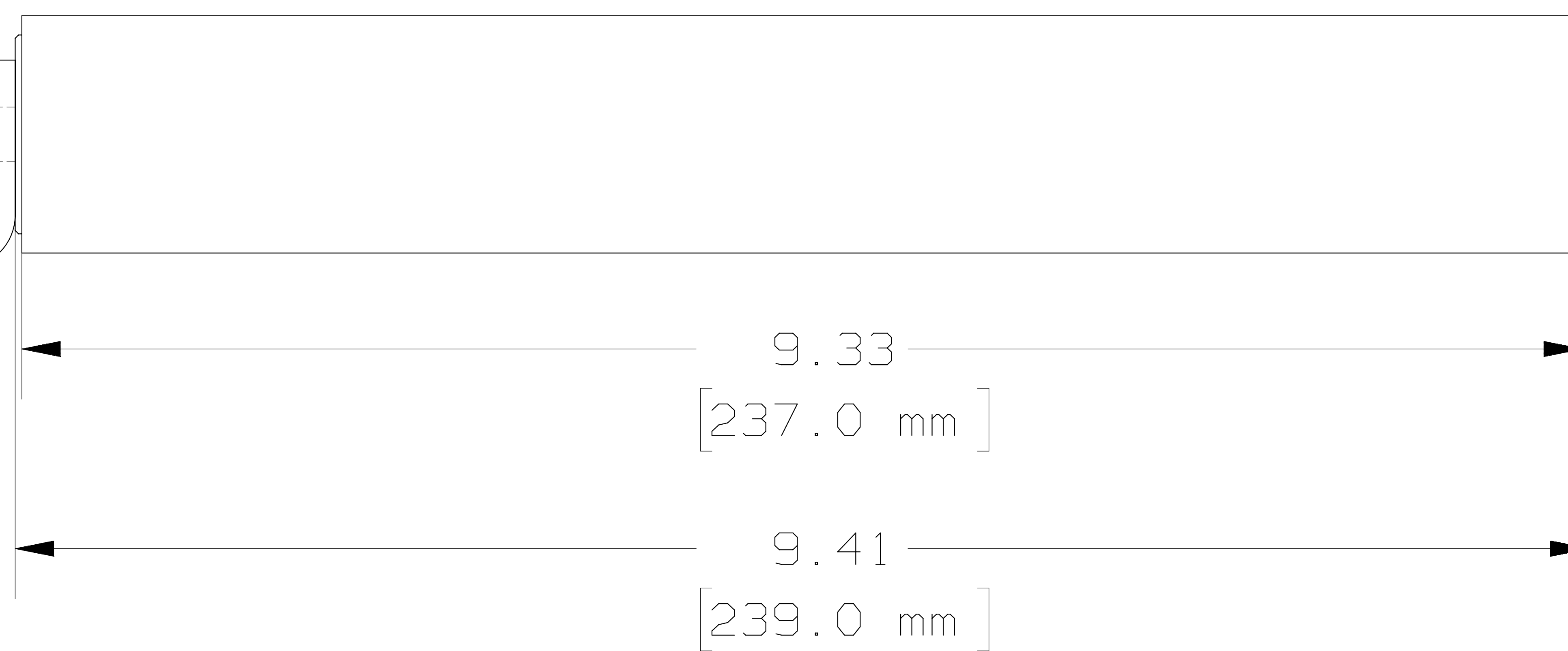
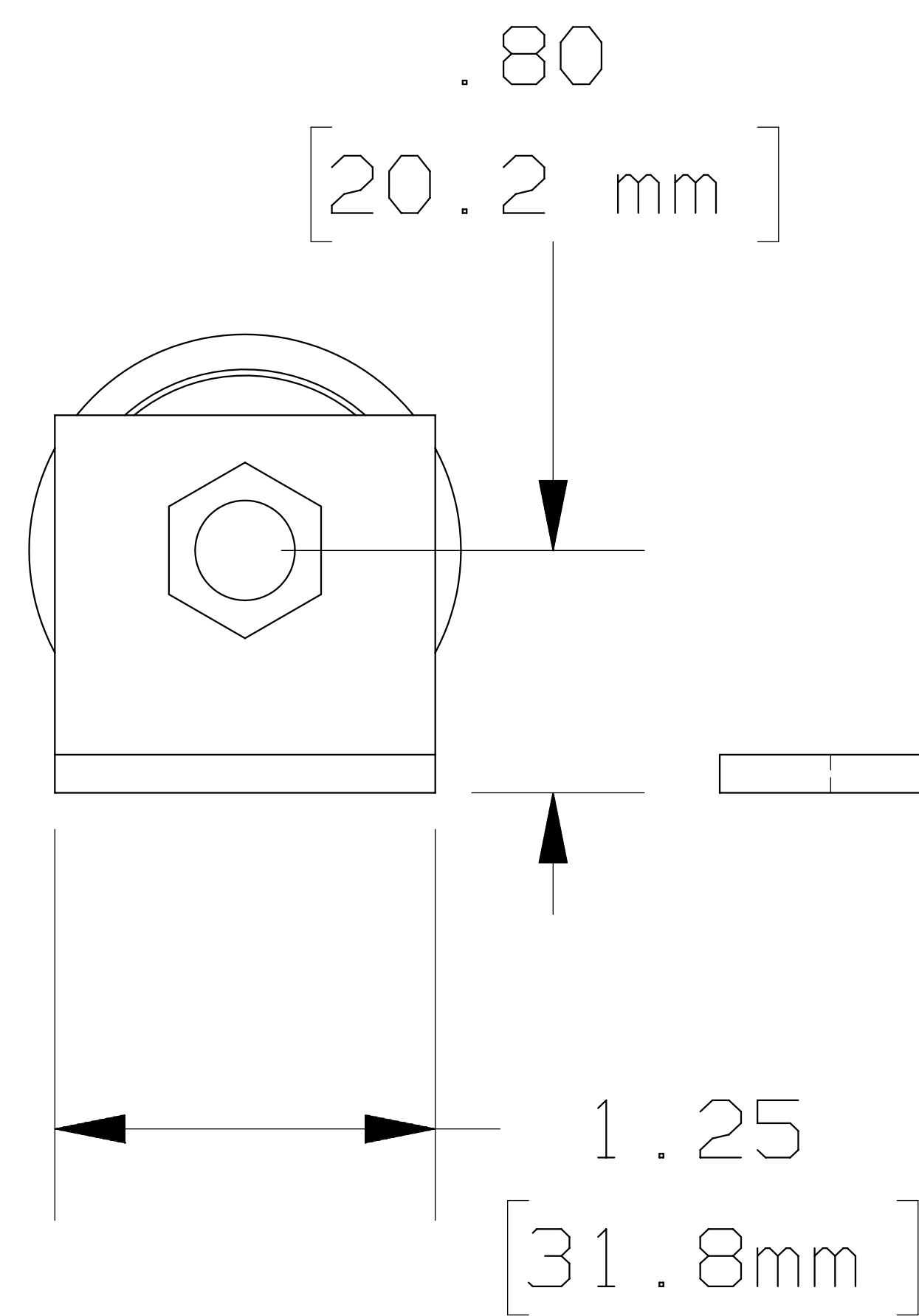
[13.5 mm]



INDICATOR IS FLUSH
BEFORE FUSE BLOWS.
EXTENDS .27

[6.9 mm]

AFTER FUSE BLOWS



.21
[5.2 mm]

.13
[3.2 mm]

.47
[11.9mm]

Ø 1.42
[36.0 mm]



MERSEN USA NEWBURYPORT-MA, LLC
374 MERRIMAC STREET
NEWBURYPORT, MA 01950

MEDIUM VOLTAGE CAPACITOR FUSE

OUTLINE DIMENSIONS
NOT TO BE USED FOR PRODUCTION

PRODUCT MANAGER

DESIGN ENGINEER

A300C(115 THRU 175)-60

700995

SIGN:

SIGN:

115 - 175 Amps 3.0 kV

DATE:

DATE: