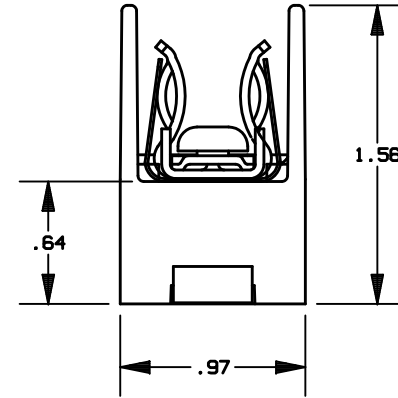
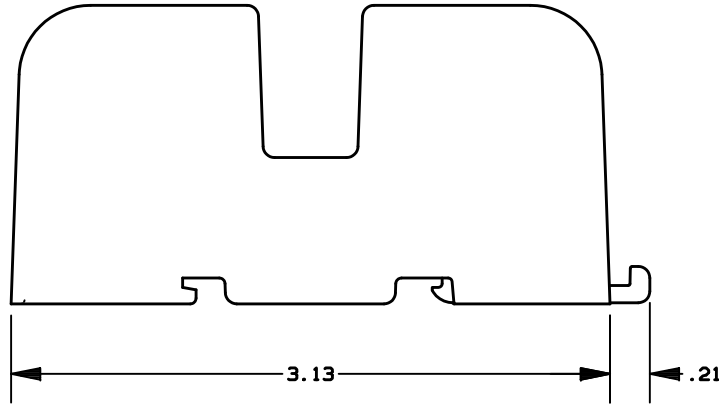
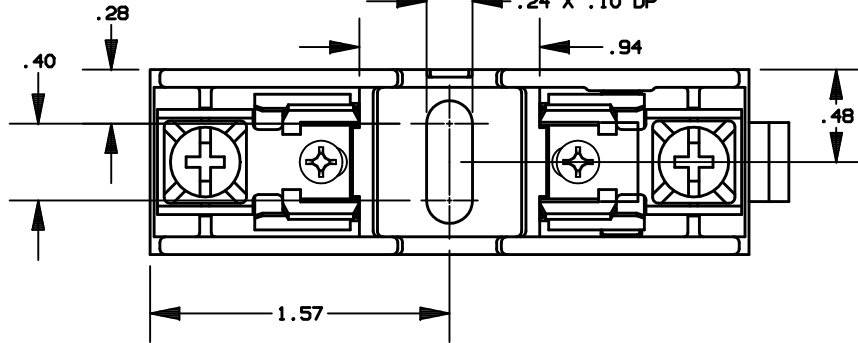


- 26AUG97 N/A INITIAL RELEASE PRR|N/A|N/A



P/N	CONN TYPE	RMS SYM RATING	TORQUE (IN-LBS)	WIRE		U/L		CSA
				°C	TYPE	FILE NO.	GUIDE NO.	REPORT NO.
60326T	PRESSURE PLATE	200K	20	60/75	CU ONLY	E52283	IZLT	LR32169

- NOTES:
1. TOLERANCES ±.015 UNLESS OTHERWISE SPECIFIED.
  2. MATERIAL COMPOSITION AND RATING THERMOPLASTIC-125°C RT1.

**MERSEN** 374 MERRIMAC STREET  
NEWBURYPORT, MA 01950

PRODUCT MANAGER DESIGN ENGINEER  
SIGN: SIGN:  
DATE: DATE:

FUSE BLOCK, 600V-30A, 1 POLE  
CLASS T

OUTLINE DIMENSIONS  
NOT TO BE USED FOR PRODUCTION

700228