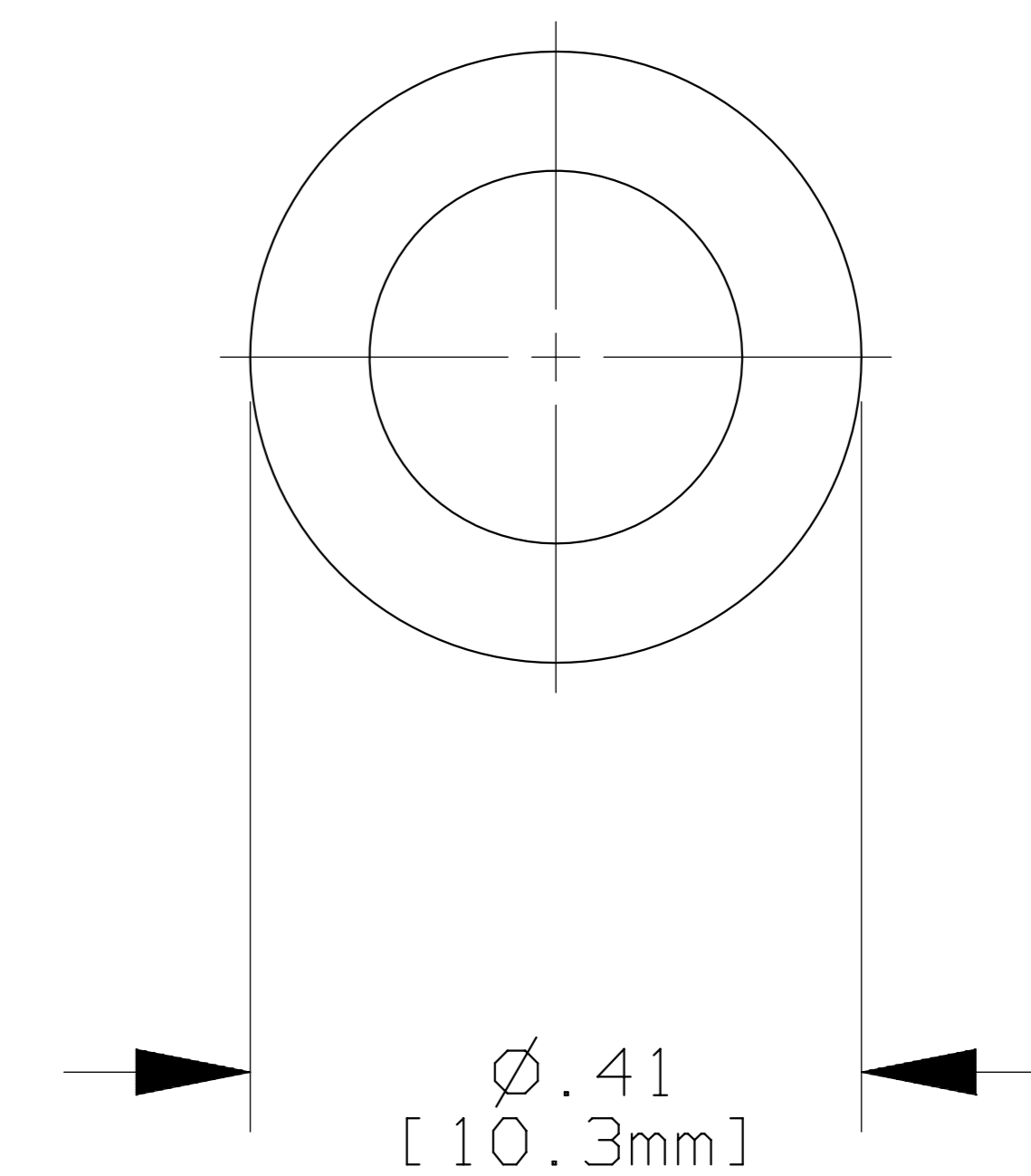
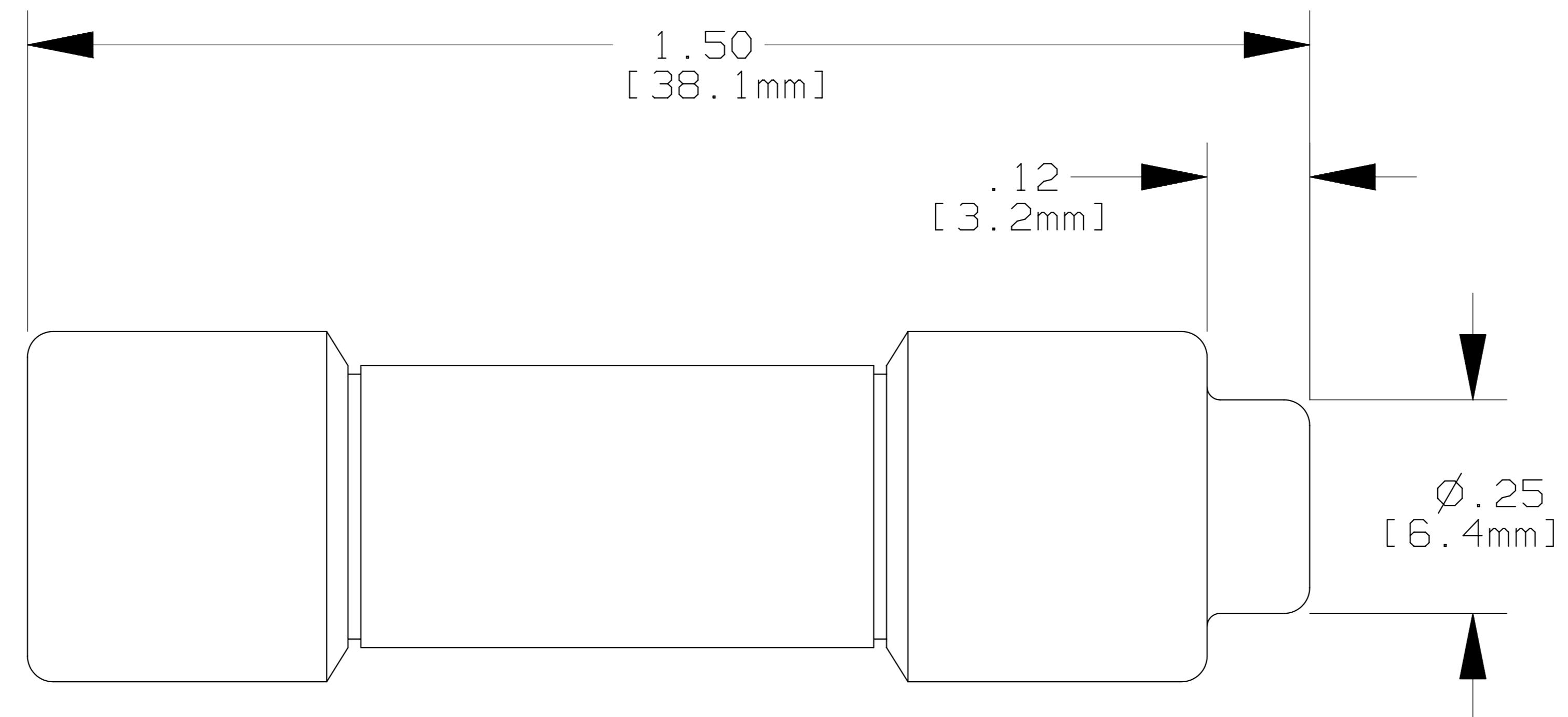


REV	DATE	ECO	DESCRIPTION	BY	CK	APP
C	4/23/02	N/A	REDRAWN ADDED AMP RATING 30-HD	LAS	N/A	N/A

ATMR30-HD	30-HD
ATMR30	30
ATMR25	25
ATMR20	20
ATMR15	15
ATMR12	12
ATMR10	10
ATMR9	9
ATMR8	8
ATMR7	7
ATMR6	6
ATMR5	5
ATMR4	4
ATMR3-1/2	3.5
ATMR3	3
ATMR2-1/2	2.5
ATMR2	2
ATMR1-1/2	1.5
ATMR1	1
ATMR3/4	.75
ATMR1/2	.5
ATMR3/10	.3
ATMR1/4	.25
ATMR2/10	.2
ATMR1/8	.125
ATMR1/10	.1
CATALOG NUMBER	AMP RATING



MERSEN USA NEWBURYPORT-MA, LLC
374 MERRIMAC STREET
NEWBURYPORT, MA 01950

FORM 600, CLASS CC

OUTLINE DIMENSIONS
NOT TO BE USED FOR PRODUCTION

1A-30A 600V

ATMR(AMP RATING)

18266

PRODUCT MANAGER

DESIGN ENGINEER

SIGN:

SIGN:

DATE:

DATE: